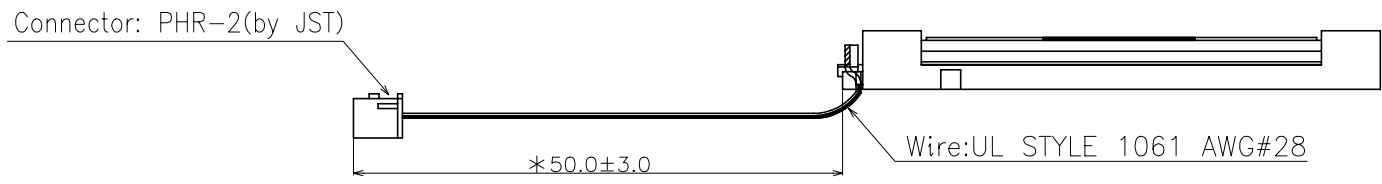
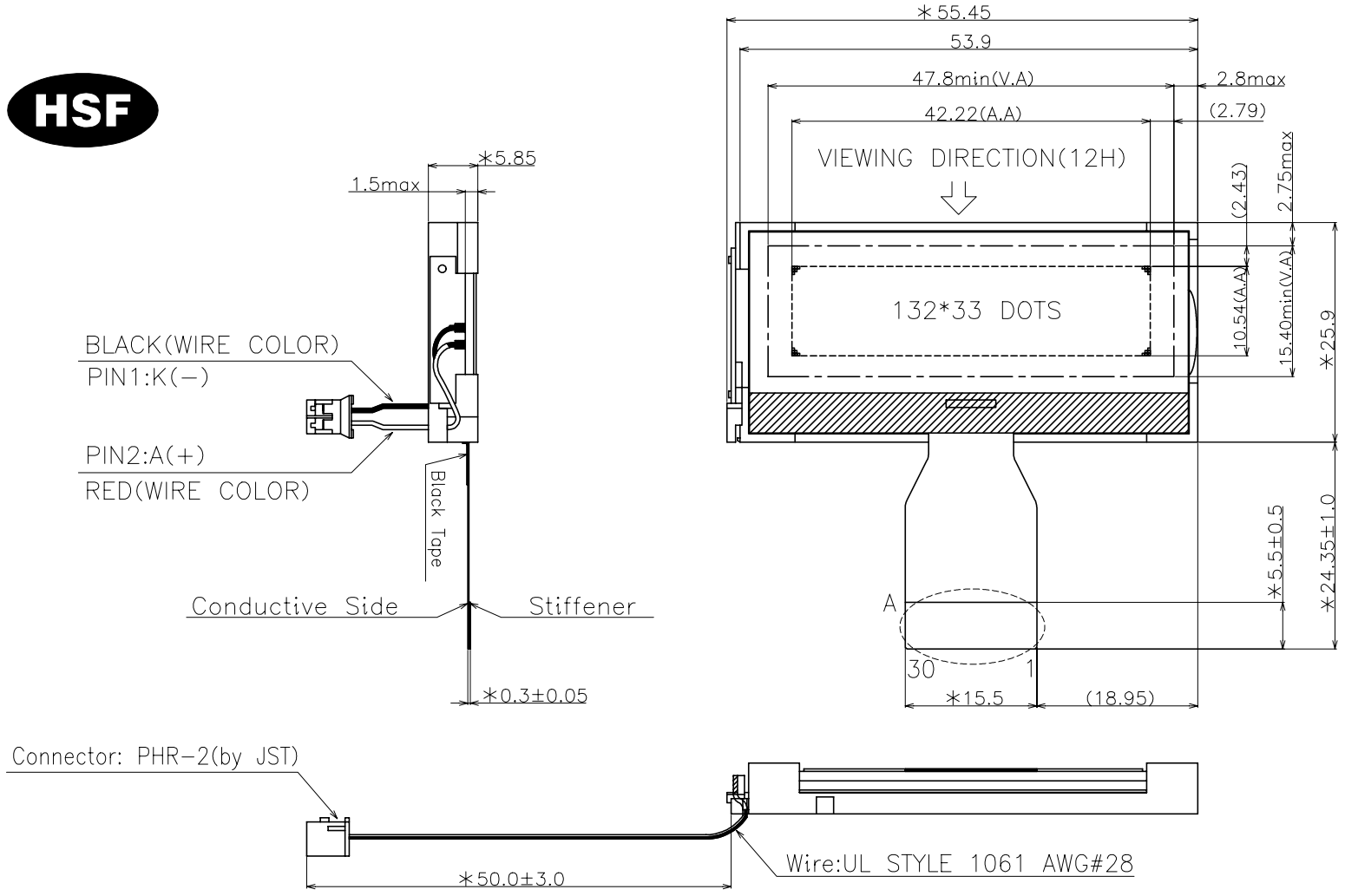


HSF



1. DISPLAY TYPE:FSTN
2. DRIVING METHOD: 1/33 DUTY, 1/6 BIAS
3. OPERATING VOLTAGE: V0-VSS=9.0V; VLED=4.0V
4. OPERATING TEMP: $-20^{\circ} \sim 70^{\circ}\text{C}$
5. STORAGE TEMP: $-20^{\circ} \sim 70^{\circ}\text{C}$
6. VIEWING DIRECTION: 12 O'CLOCK
7. POLARIZER MODE: TRANSFLECTIVE/POSITIVE
8. CONNECTION: FPC (小片在上, 磨邊)
9. LED BACKLIGHT COLOR: WHITE
10. CONTROLLER/DRIVER IC: NT7538
11. DIMENSIONS ARE IN MILLIMETERS AND UNLESS OTHERWISE NOTED ARE $\pm 0.20\text{MM}$
12. THE TOTAL THICKNESS OF GLASS IS NOT INCLUDING THE PROTECTIVE FILM.

REVISES		SUN-VIEW TECHNOLOGY CO., LTD						
CONTENT		SUN-VIEW TECHNOLOGY CO., LTD						
02	增加重點尺寸標示	CUSTOM					PROJECTION	
		DRAWING BY	沈光娥	2018.11.20	ITEM	COG+BL+FPC	UNITS	mm
		CHECKED BY			CODE	MD270415002	SCALE	
		APPROVED BY			MODEL	SVG132033AWDC	SHEET	1 OF 2