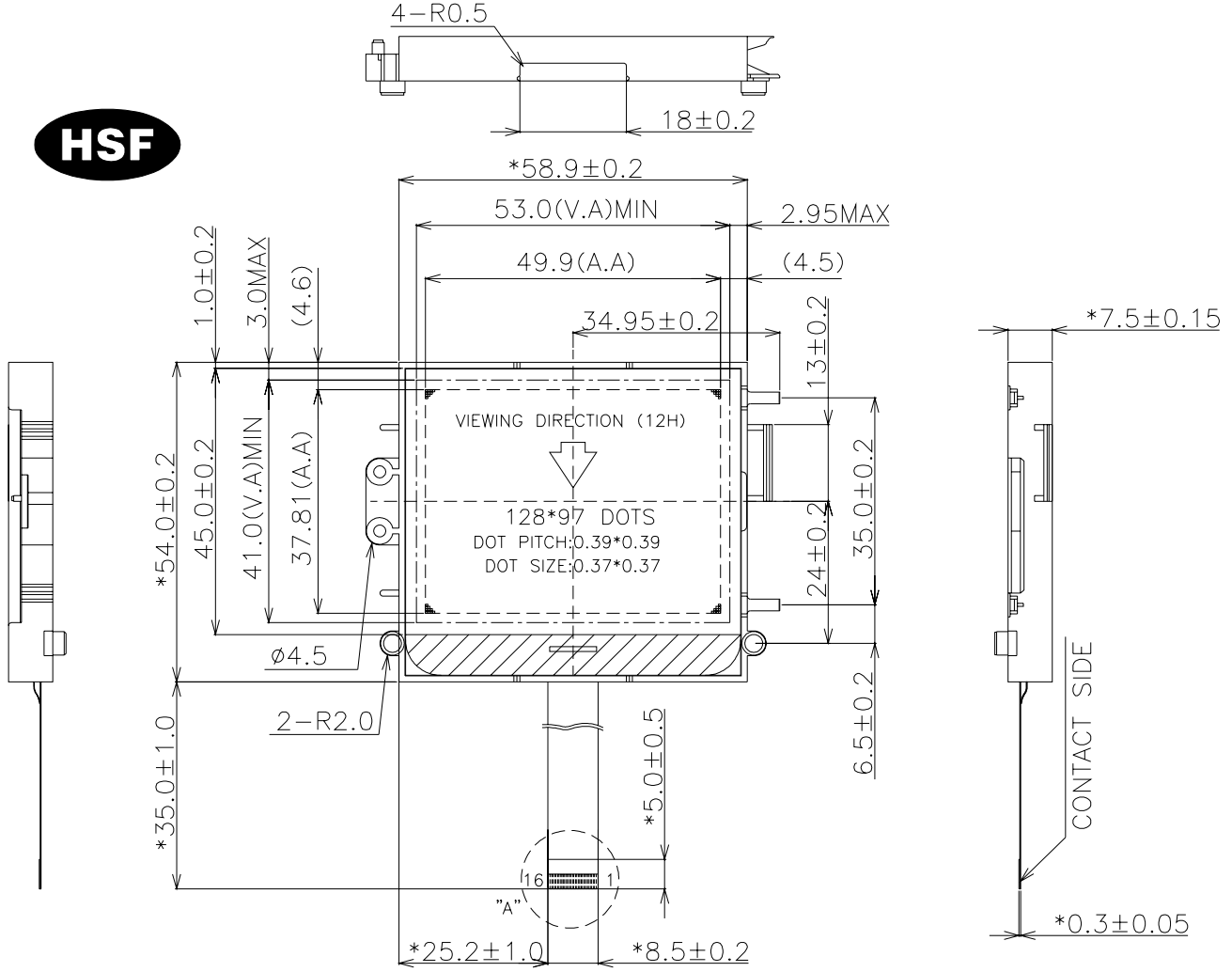
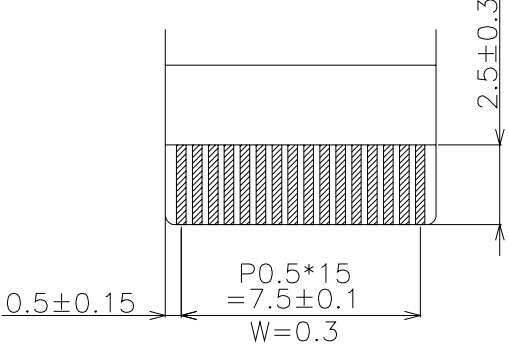


**HSF**



DETAIL OF "A":



NOTE:  
 (1)UNIT:mm  
 (2)SCALE:NTS  
 (3)NOT SPECIFIED  
 TOLERANCE:±0.3

PIN NO.	SYMBOL
1	CSB
2	RST
3	A0
4	SCLK
5	SDA
6	VDD
7	VSS
8	VM0
9	V0
10	XV0
11	VD1
12	VG
13	LED+(A1)
14	LED+(A2)
15	LED+(A3)
16	LED-(K)

- NOTE:
1. DISPLAY TYPE:FSTN
  2. DRIVING METHOD: 1/98 DUTY, 1/11 BIAS
  3. OPERATING VOLTAGE:VLCD=11.2V,VLED=4.5V
  4. OPERATING TEMP: -10° ~ 70°C
  5. STORAGE TEMP: -20° ~ 80°C
  6. VIEWING DIRECTION: 12 O'CLOCK
  7. POLARIZER MODE: TRANSFLECTIVE/POSITIVE
  8. CONNECTION:COG+FPC (小片在上, 磨边)
  9. CONTROLLER IC:ST7571
  10. LED BACKLIGHT COLOR:AMBER (λ=610nm±10nm)
  11. DIMENSIONS ARE IN MILLIMETERS AND UNLESS OTHERWISE NOTED ARE ±0.20MM
  12. THE TOTAL THICKNESS OF GLASS IS NOT INCLUDING THE PROTECTIVE FILM.

REVISES		CONTENT		SUN-VIEW TECHNOLOGY CO., LTD				PROJECTION	UNIT	SHEET
03	增加重點尺寸標示	CUSTOM	沈光娥	2018.11.26	ITEM	MD	UNITS	mm	1 OF 1	
		DRAWING BY			CODE	MD270415004	SCALE	1:1		
		CHECKED BY			MODEL	SVG128097AWDC	SHEET			
		APPROVED BY								